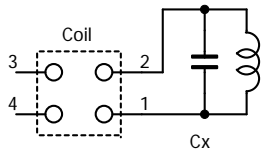
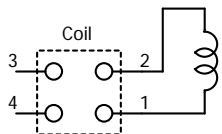


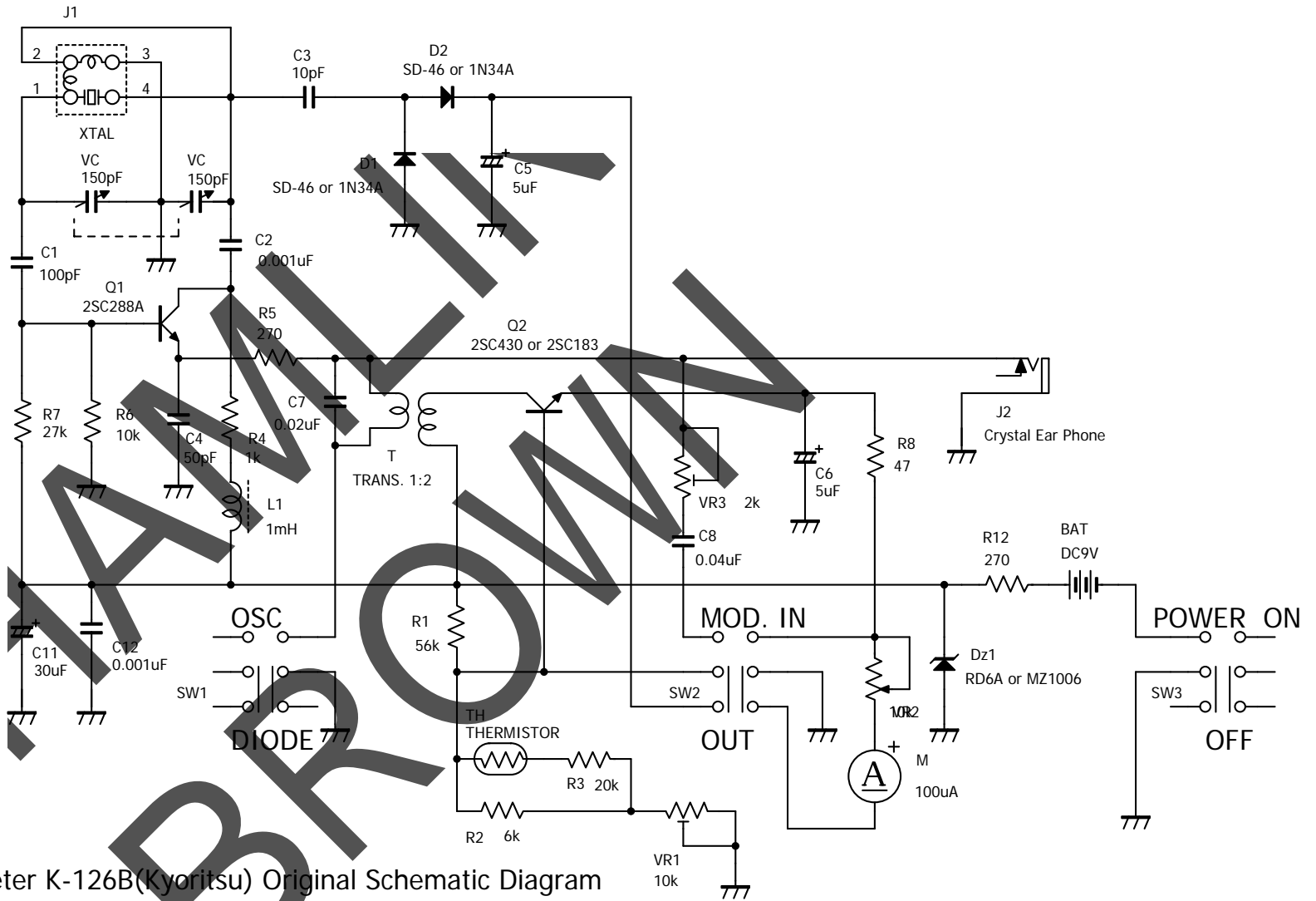
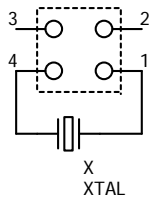
- A 0.435-0.800MHz
- B 0.800-1.5MHz
- C 1.5-3.0MHz



- D 3.0-7.0MHz
- E 7.0-16MHz
- F 16-35MHz
- G 35-80MHz



- H 80-220MHz



Dip Meter K-126B(Kyoritsu) Original Schematic Diagram

2016/8/21 Copyright HAMLIN BROWN